



JX0

Task support vehicle

Max. Platform height: 2.99m;
Truck size: 1365x1440x750mm, turning radius (1260),
suitable for narrow spaces;
Light and flexible;
AGM Battery (maintenance free), Li-Ion as option.

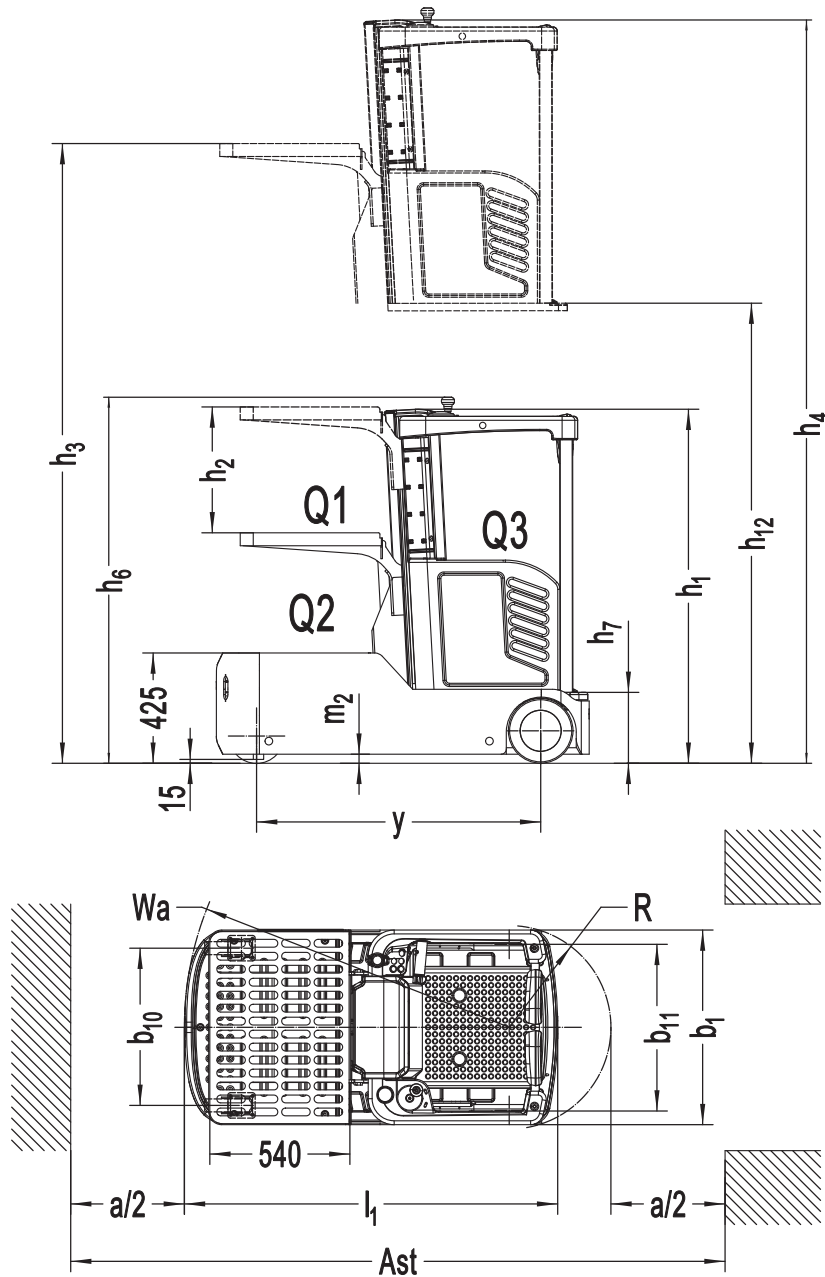
EP EQUIPMENT CO.,LTD
www.ep-ep.com



Task support vehicle JX0

| | | | | | | |
|---------------------|------------------|---|---|-------|---------------------------|---------------------------|
| Distinguishing mark | 1.1 | Manufacturer | | | EP | EP |
| | 1.2 | Model designation | | | JX0(Li-ion) | JX0 |
| | 1.3 | Drive unit | | | Electric | Electric |
| | 1.4 | Operator type | | | Order-picker | Order-picker |
| | 1.5 | Rated capacity | Q | kg | 90/110/136 | 90/110/136 |
| | 1.6 | Load center distance | c | mm | — | — |
| | 1.8 | Load distance, centre of drive axle to fork | x | mm | — | — |
| | 1.9 | Wheelbase | y | mm | 1095 | 1095 |
| | Service weight | 2.1 | Service weight | | kg | 800 |
| 2.2 | | Axle loading, laden front/rear | | kg | 590/410 | 590/410 |
| 2.3 | | Axle loading, unladen front/rear | | kg | 380/420 | 380/420 |
| Tyres/chassis | 3.1 | Tyre type | | | Polyurethane/Solid rubber | Polyurethane/Solid rubber |
| | 3.2 | Tyre size, front | | mm | Φ210×70 | Φ210×70 |
| | 3.3 | Tyre size, rear | | mm | Φ250×100 | Φ250×100 |
| | 3.4 | Additional wheels | | mm | Φ74×48 | Φ74×48 |
| | 3.5 | Wheels, number front/rear (x=drive wheels) | | mm | 1x,2/2 | 1x,2/2 |
| | 3.6 | Tread, front | b10 | mm | 545 | 545 |
| | 3.7 | Tread, rear | b11 | mm | 640 | 640 |
| Dimensions | 4.2 | Height, mast lowered | h1 | mm | 1365 | 1365 |
| | 4.3 | Free lift | h2 | mm | 485 | 485 |
| | 4.4 | Lift height | h3 | mm | 3485 | 3485 |
| | 4.5 | Height, mast extended | h4 | mm | 4365 | 4365 |
| | 4.7 | Height of overhead/ guard cabin | h6 | mm | 1410 | 1410 |
| | 4.8 | Seat height/standing height | h7 | mm | 285 | 285 |
| | 4.14 | Stand height, elevated | h12 | mm | 3000 | 3000 |
| | 4.15 | Lowered height | h13 | mm | — | — |
| | 4.19 | Overall length | l1 | mm | 1440 | 1440 |
| | 4.20 | Length to face of forks | l2 | mm | — | — |
| | 4.21 | Overall width | b1/b2 | mm | 750 | 750 |
| | 4.22 | Fork dimensions | s/e/l | mm | — | — |
| | 4.25 | Distance between fork-arms | b5 | mm | — | — |
| | 4.32 | Ground clearance, center of wheelbase | m2 | mm | 35 | 35 |
| | Performance data | 4.34.1 | Aisle width for pallets 1000×1200 crossways | Ast | mm | — |
| 4.34.2 | | Aisle width for pallets 800×1200 crossways | Ast | mm | — | — |
| 4.35 | | Turning radius | Wa | mm | 1260 | 1260 |
| Electric-engine | 5.1 | Travel speed, laden/unladen | | km/h | 6/6.5 | 6/6.5 |
| | 5.2 | Lifting speed, laden/unladen | | m/s | 0.22/0.27 | 0.22/0.27 |
| | 5.3 | Lowering speed, laden/unladen | | m/s | 0.31/0.25 | 0.31/0.25 |
| | 5.8 | Max. gradeability, laden/unladen | | % | 5/8 | 5/8 |
| | 5.10 | Service brake | | | Electromagnetic | Electromagnetic |
| Addition data | 6.1 | Drive motor rating S2 60 min | | kW | 0.65 | 0.65 |
| | 6.2 | Lift motor rating at S3 15% | | kW | 2.2 | 2.2 |
| | 6.4 | Battery voltage/nominal capacity | | V/Ah | 24V/120 | 24V/120 |
| Addition data | 6.5 | Battery weight | | kg | 50 | 71 |
| | 8.1 | Type of drive unit | | | DC | DC |
| | 10.5 | Steering design | | | Electronic | Electronic |
| | 10.7 | Sound pressure level at the driver's ear | | dB(A) | 60 | 60 |

If there are improvements of technical parameters or configurations, no further notice will be given.
The diagram shown may contain non-standard configurations.



Option

| No. | Optional items | JX0 |
|------|--|---|
| 2.1 | Load wheel type | ●Single |
| 2.2 | Load wheel material | ●Rubber |
| 2.3 | Drive wheel material | ●PU |
| 2.7 | Battery capacity | ●120Ah○120Ah Li-ion |
| 2.8 | Charger | ●24V-15A Internal (Only for 120Ah Lead-acid battery) ○24V-30A Internal (Only for 120Ah Li-ion battery) |
| 2.9 | Battery indicator | ●With time |
| 2.14 | Electrostatic chain | ●No |
| 3.3 | Castor wheels | ●Yes and not customized |
| 3.9 | Blue spot | ●Front blue spot |
| 3.12 | Buzzer | ●Drop buzzer○Running buzzer○Reversing buzzer |
| 3.18 | Guide wheel | ●No○Yes and not customized |
| 3.20 | Step on the safety switch with both feet | ●No○Yes and not customized |
| 4.7 | Overhead guard | ●No |

Note: ●Standard ○Optional - Inconformity