



JX2-3

Order-picking Truck 0.7t

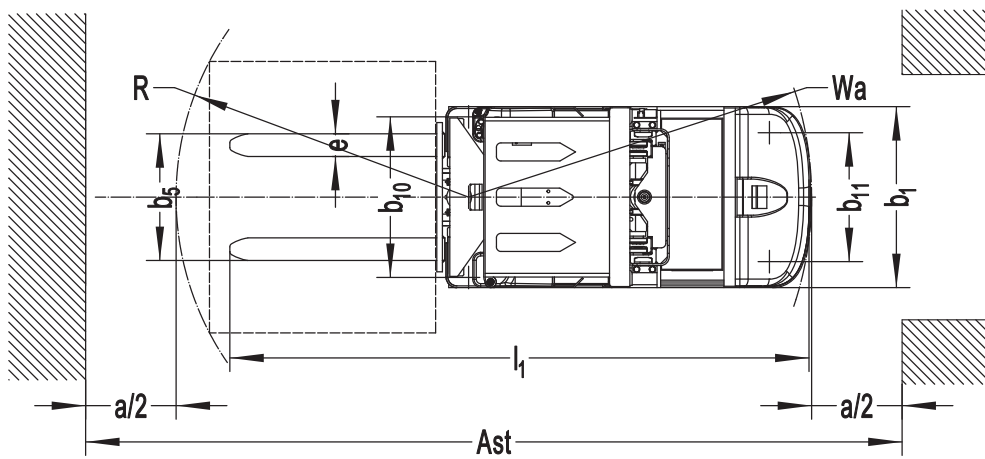
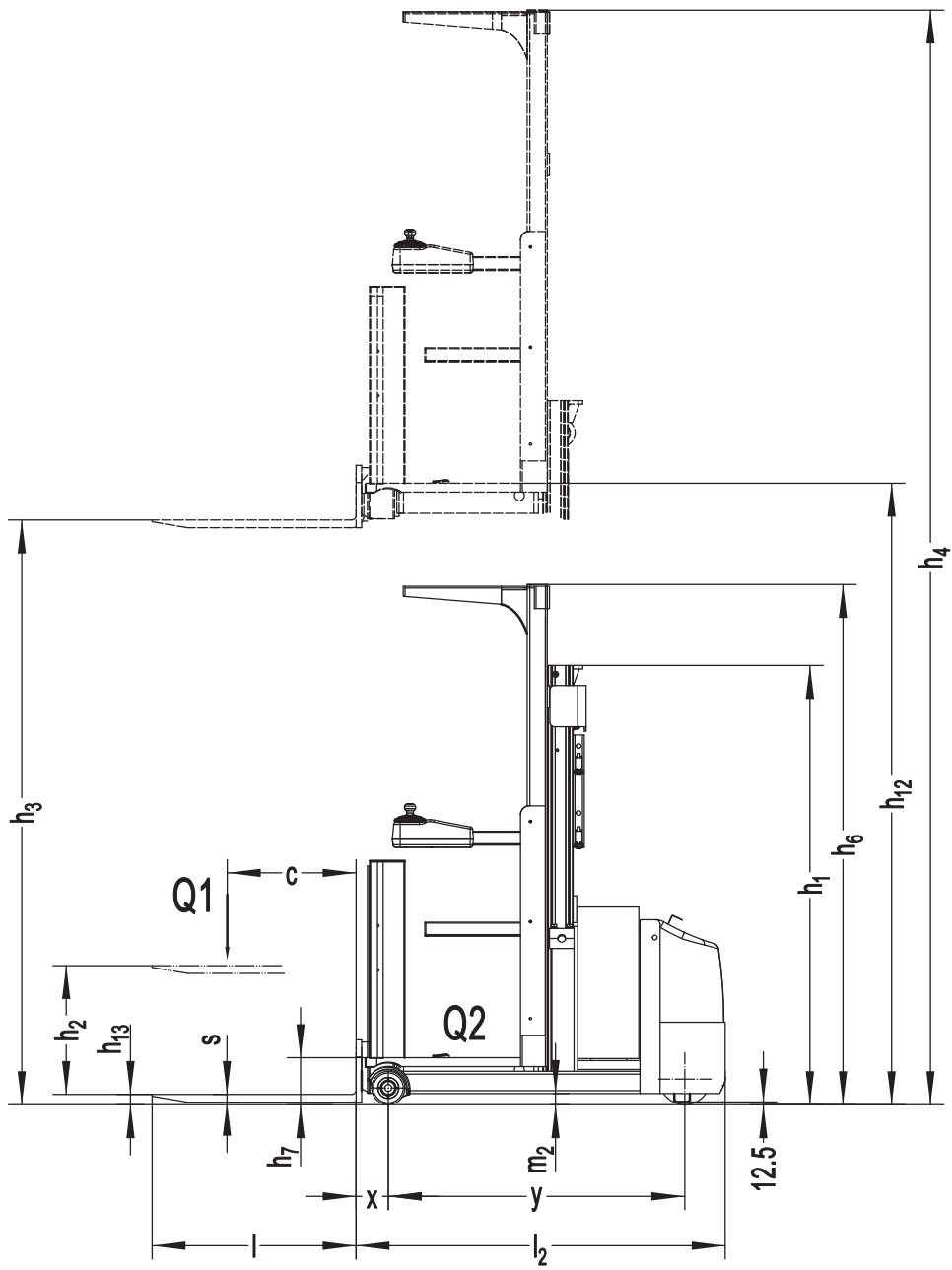
Meet exactly the same operators' preference as high lifting order picker
Medium level order picker for various applications

EP EQUIPMENT CO.,LTD
www.ep-ep.com

Order-picking Truck 0.7t JX2-3

Distinguishing mark	1.1	Manufacturer			EP	EP
	1.2	Model designation			JX2-3(3200)	JX2-3(3600)
	1.3	Drive			Electric	Electric
	1.4	Operator type			Order-picker	Order-picker
	1.5	Load capacity	Q	kg	700/136	700/136
	1.6	Load center distance	c	mm	600	600
	1.8	Load distance, centre of drive axle to fork	x	mm	140	140
	1.9	Wheelbase	y	mm	1330	1330
	Service weight	2.1	Service weight		kg	1820
2.2		Axle loading, laden front/rear		kg	1880/640	1900/650
2.3		Axle loading, unladen front/rear		kg	790/1030	810/1040
Tyres/chassis	3.1	Tyre type			Polyurethane/Solid rubber	Polyurethane/Solid rubber
	3.2	Tyre size, front		mm	Φ150×90	Φ150×90
	3.3	Tyre size, rear		mm	Φ230×75	Φ230×75
	3.4	Additional wheels (caster wheels)		mm	Φ74×48	Φ74×48
	3.5	Wheels, number front/rear (x=drive wheels)		mm	1x, 2/2	1x, 2/2
	3.6	Tread width, front	b10	mm	710	710
	3.7	Tread width, rear	b11	mm	570	570
Dimensions	4.2	Retracted mast height	h1	mm	1800	2000
	4.3	Free lift	h2	mm	737	737
	4.4	Lift height	h3	mm	2463	2863
	4.5	Height, mast extended	h4	mm	4745	5145
	4.7	Height of overhead guard (cabin)	h6	mm	2345	2345
	4.8	Seat height/standing height	h7	mm	220	220
	4.14	Stand height, elevated	h12	mm	2620	3020
	4.15	Lowered height	h13	mm	63	63
	4.19	Overall length	l1	mm	2725	2725
	4.20	Length to face of forks	l2	mm	1655	1655
	4.21	Overall width	b1/b2	mm	800	800
	4.22	Fork dimensions	s/e/l	mm	35×100×1070	35×100×1070
	4.25	Distance between fork-arms	b5	mm	560	560
	4.32	Ground clearance, center of wheelbase	m2	mm	50	50
	Performance data	4.34.1	Aisle width for pallets 1000×1200 crossways	Ast	mm	3050
4.34.2		Aisle width for pallets 800×1200 crossways	Ast	mm	3160	3160
4.35		Turning radius	Wa	mm	1515	1515
5.1		Travel speed, laden/unladen		km/h	8/8	8/8
5.2		Lifting speed, laden/unladen		m/s	0.13/0.16	0.13/0.16
5.3		Lowering speed, laden/unladen		m/s	0.16/0.18	0.16/0.18
5.8		Max. gradeability, laden/unladen		%	0	0
Electric-engine	5.10	Service brake			Electromagnetic	Electromagnetic
	6.1	Drive motor rating S2 60 min		kW	2.5	2.5
	6.2	Lift motor rating at S3 15%		kW	3	3
	6.4	Battery voltage/nominal capacity		V/Ah	24/360	24/360
	6.5	Battery weight		kg	330	330
Addition data	8.1	Type of drive control			AC	AC
	10.5	Steering design			Electronic	Electronic
	10.7	Sound pressure level at the driver's ear		dB(A)	75	75

If there are improvements of technical parameters or configurations, no further notice will be given.
The diagram shown may contain non-standard configurations.



Option

No.	Optional items	JX2-3
1.1	Fork dimension	●800*600, 2A, 100*35*920 ○800*600, 2A, 100*35*1070○800*600, 2A, 100*35*1200
2.1	Load wheel type	●Single
2.2	Load wheel material	●Rubber
2.3	Drive wheel material	●PU
2.7	Battery capacity	●No○360AH
2.8	Charger	●No○24V-50A External
2.9	Battery indicator	●With time
2.12	Safe hook	●No
2.13	Traction pin	●No
2.14	Electrostatic chain	●No
2.15	Entry roller	●No
3.3	Castor wheels	●Yes and not customized
3.4	Water auto-filling system	●No
3.7	Warning lamp	●Rear warning lamp
3.9	Blue lamp	●No
3.12	Hummer	●Drop buzzer
3.18	Guide wheel	●No
3.19	USB interface	●No
4.1	Battery side pull function	●Yes and not customized
4.7	Overhead guard	●Yes and not customized
5.1	Battery side pull attachment	●No

Note: ● standard ○ option — NA